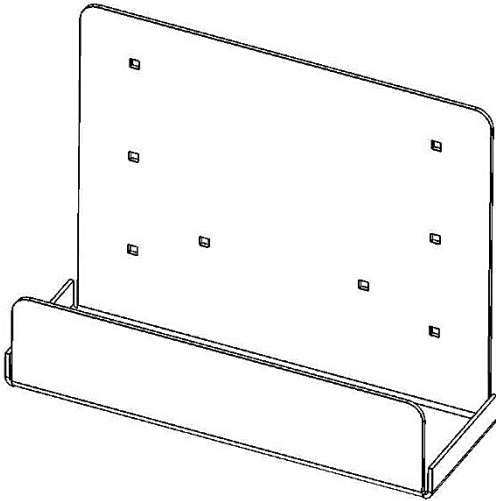




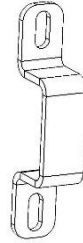
XE2 Computer Mount Assembly Instructions

Before starting the assembly, lay out all of the hardware and make sure nothing is missing. If anything is missing, contact us at 1-800-659-8224 for assistance.

Unpack and lay out the following components:



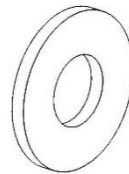
Computer Mount



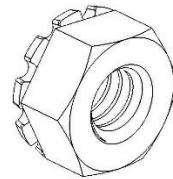
Clamp Bracket (x2)



Carriage bolt (x4)



Flat washer (x4)



Keps nut (x8)

Tool Note: A 7/16" wrench or a 7/16" socket with ratchet is required for assembly.

STEP 1: Secure the carriage bolts to the computer mount using the Keps nuts. (See Figure 1)
Note: The carriage bolts can be attached in different places to accommodate different tables or locations.

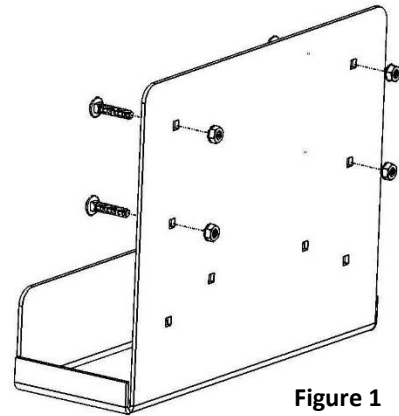


Figure 1

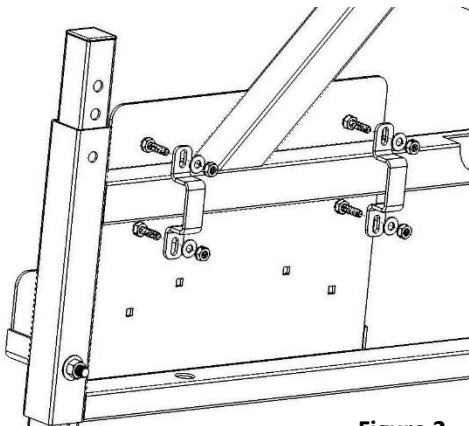


Figure 2

STEP 2: Attach the computer mount to the table using the clamp brackets, flat washers and Keps nuts. (See Figure 2)